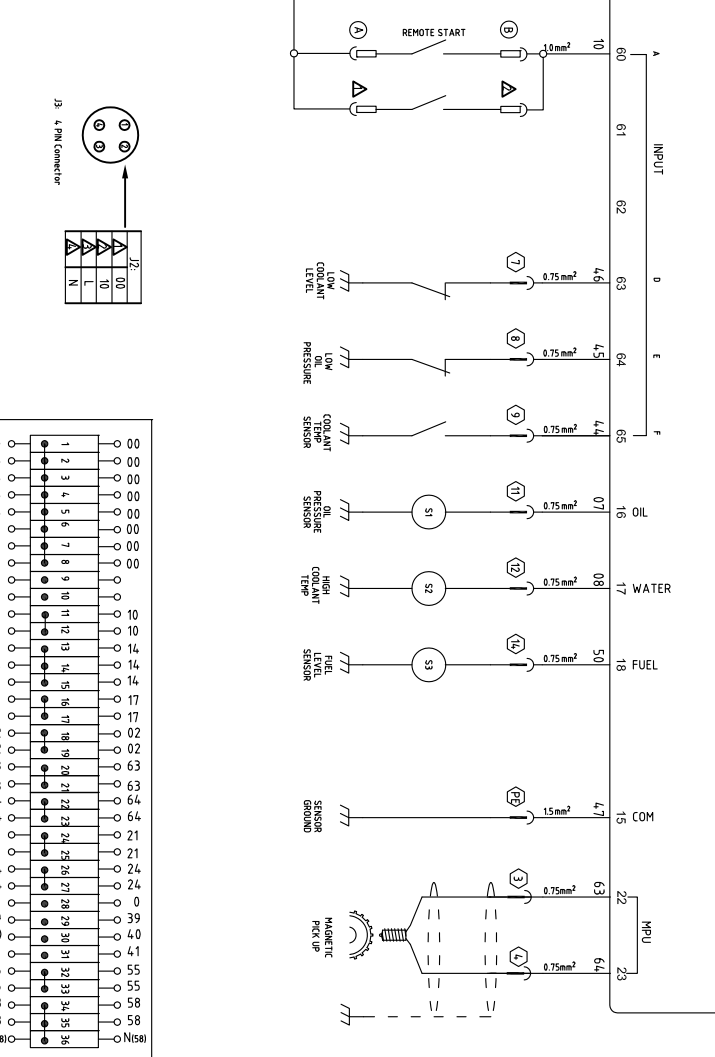
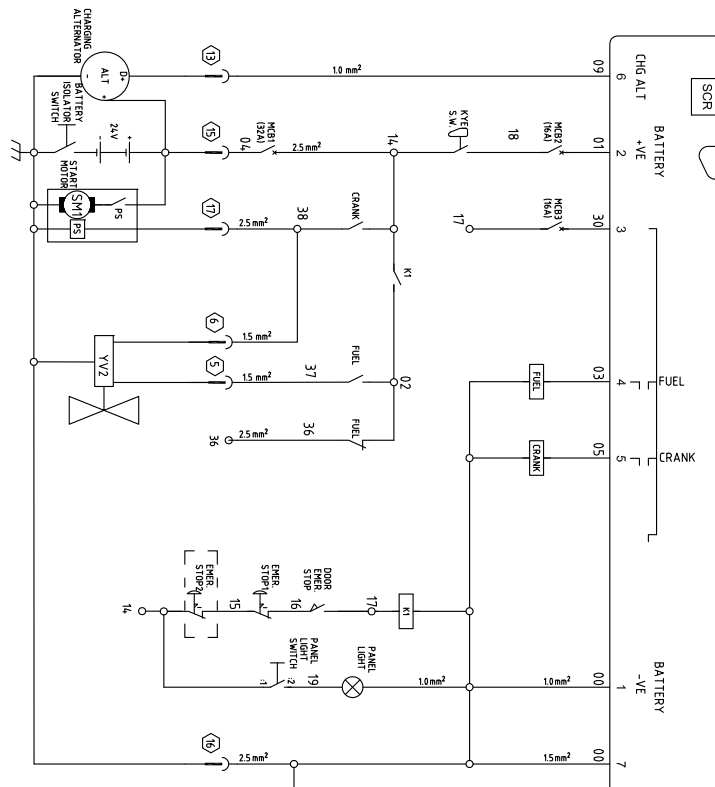
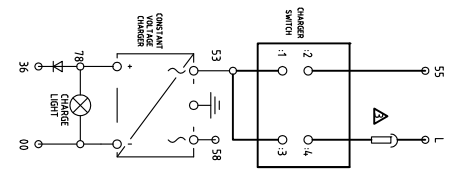


Gen-set Controller DSE 7420



TERMINAL LAYOUT

00	01	02	03	04	05	06	07	08	09	10	11	12	13	14	15	16	17	18	19	20	21	22	23	24	25	26	27	28	29	30	31	32	33	34	35	36	37	38	39	40	41	42	43	44	45	46	47	48	49	50	51	52	53	54	55	56	57	58	59	60
----	----	----	----	----	----	----	----	----	----	----	----	----	----	----	----	----	----	----	----	----	----	----	----	----	----	----	----	----	----	----	----	----	----	----	----	----	----	----	----	----	----	----	----	----	----	----	----	----	----	----	----	----	----	----	----	----	----	----	----	----

The connecting diagram of DSE-7420 controller for diesel Gen-set

Item	Name	Date	Item	Name	Date
Designer	2342	16/01/13	Checked	1353	
Proofread	1278		Approved	0746	

Sheet	1/1	Edition	4.0
-------	-----	---------	-----

Appellation

GEN-SET MODEL : GMS100CS-AU
ENGINE MODEL : 6B15.9-G1
CONTROLLER MODEL : DSE-7420
VOLTAGE : 415V/3P
FREQUENCY : 50 Hz
FULL LOAD CURRENT : 139A

FUSE
CIRCUIT BREAKER
POWER TERMINAL
LAMP

TO REMOTE START CONNECTOR
TO ATIS CONNECTOR
TO ENGINE CONNECTOR

Item	Name	Date	Item	Name	Date
Designer	2342	16/01/13	Checked	1353	
Proofread	1278		Approved	0746	

Sheet	1/1	Edition	4.0
-------	-----	---------	-----

